



AGILE, ROBUST,
SMART LAB SYSTEM.
SUSTAINABILITY AND RESILIENCE.

AL ESCR ENVIROMENTAL STRESS CRACK PROPAGATION TEST DEVICE

Standards

ASTM D1693

TS EN ISO 60811-406



Enviromental Stress Cracking Propagation Test depends on observation of the test materials which notched with blade, under specified temperature and chemical environment and under a given stress.

+90 212 924 56 52

www.alarge.com.tr

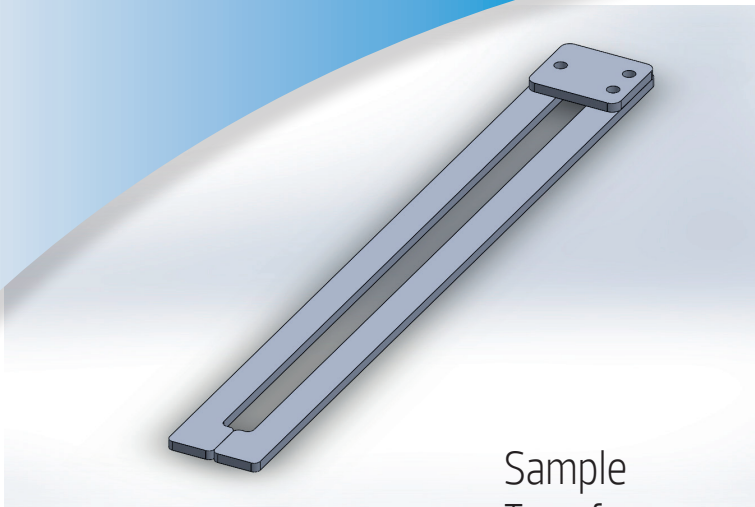
ALARGE ALIÇ AĞACI MAK. ELEK. AR-GE SAN. TİC. LTD. ŞTİ.

Çifte Havuzlar Mah. Eski Londra Asfaltı Cd. YTÜ Teknopark D2 Blok No: 2B01 Davutpaşa - İstanbul/TÜRKİYE

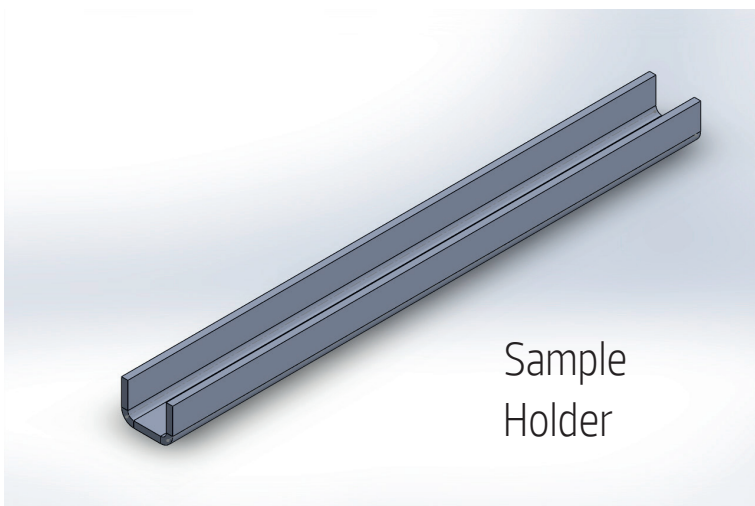
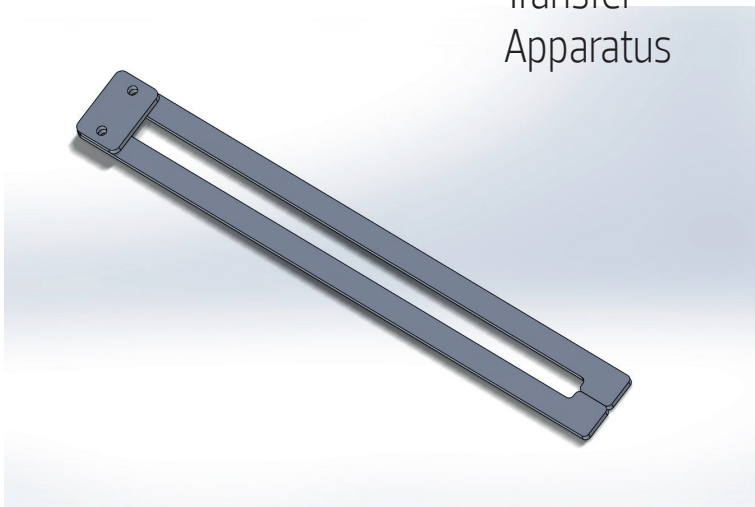
Fax: +90 212 278 61 33 Mail: info@alarge.com.tr

AL ESCR ENVIROMENTAL STRESS CRACK PROPAGATION TEST DEVICE

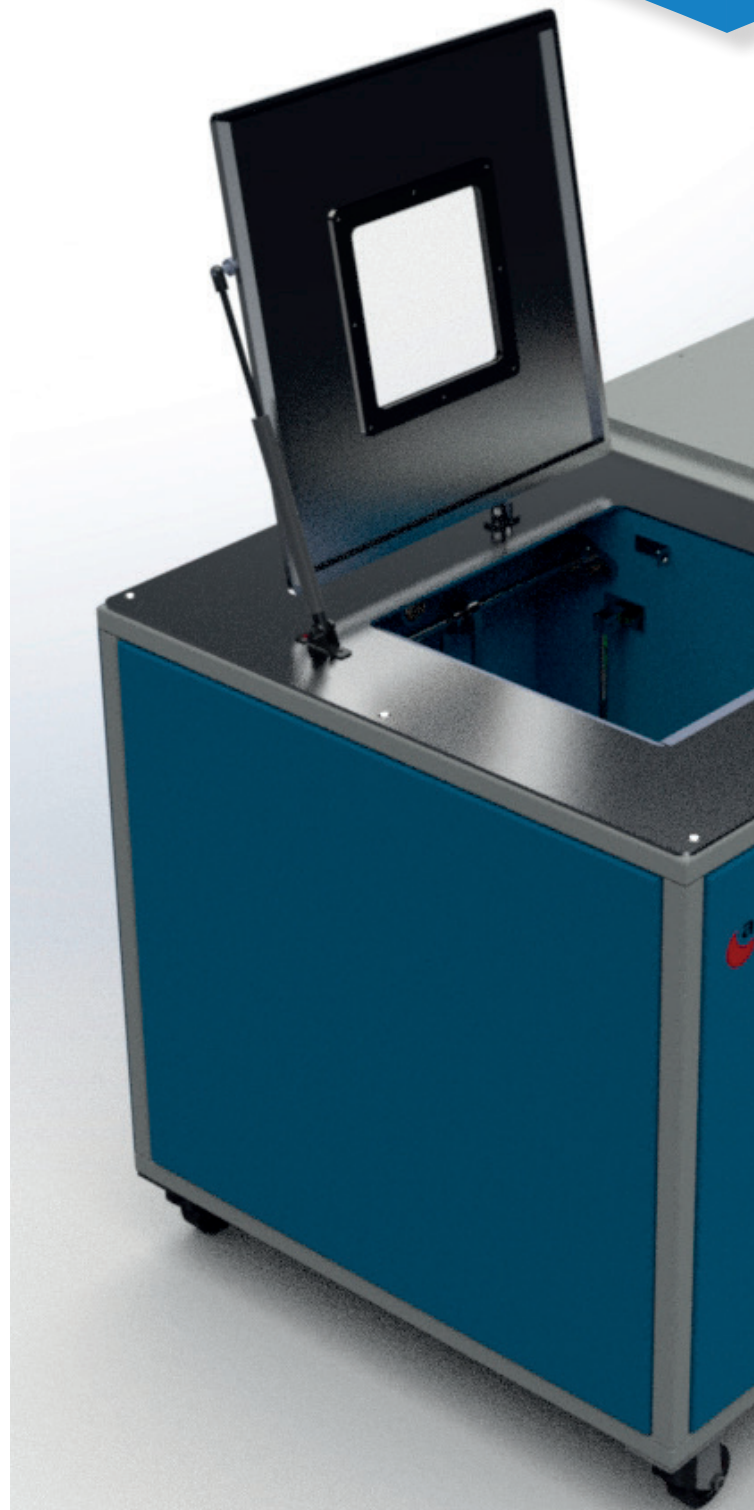
TECHNICAL SPECIFICATIONS



Sample
Transfer
Apparatus



Sample
Holder



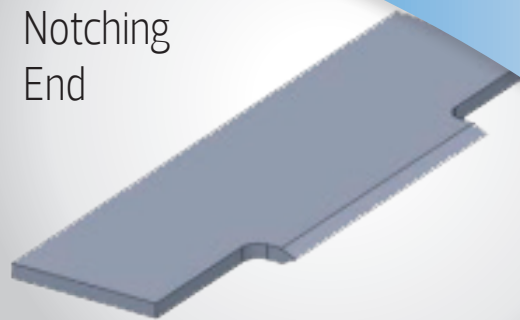
ACCESSORIES OF DEVICE

- ✓ Notching End
- ✓ Sample Bender
- ✓ Sample Transfer Apparatus
- ✓ Sample Holder
- ✓ Tube Stand
- ✓ Notching Press
- ✓ Sample Cutting Knife
- ✓ Sample Notch Opener
- ✓ Distilled Water Tank
- ✓ Glass Tube

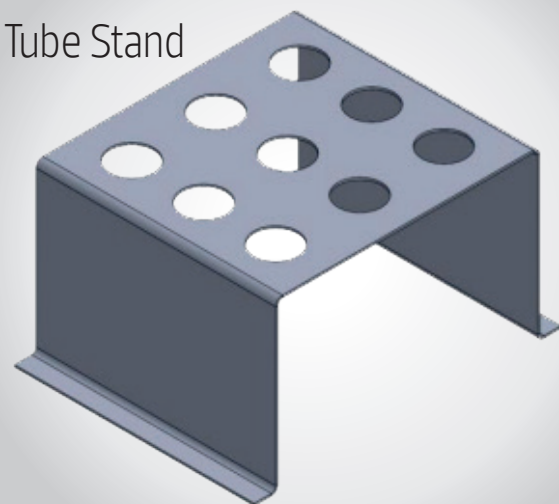
Notching Press



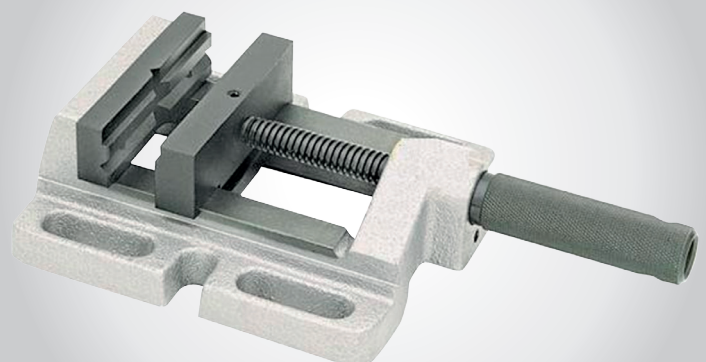
Notching End



Tube Stand



Sample Bender



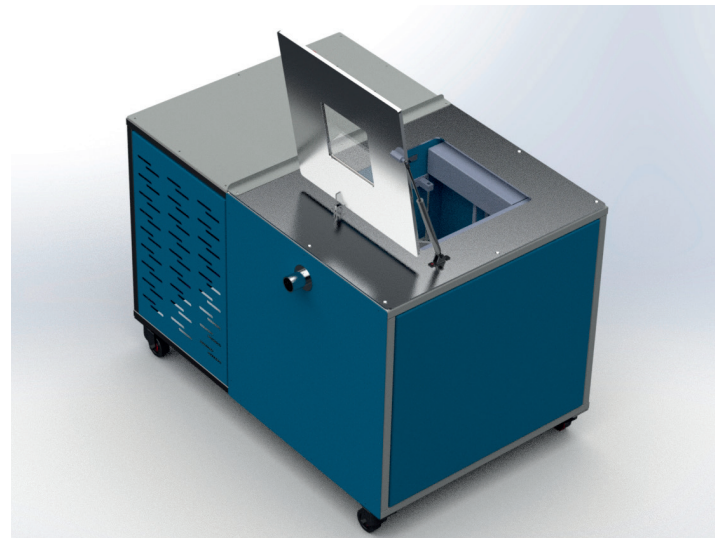
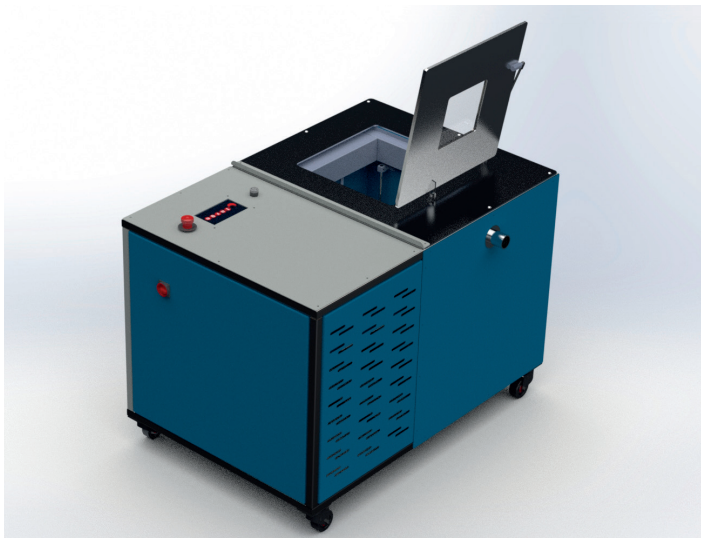
www.alarge.com.tr

+90 212 924 56 52



AL ESCR ENVIROMENTAL STRESS CRACK PROPAGATION TEST DEVICE TECHNICAL SPECIFICATIONS

MODEL	AL ESCR
Tank Volume	7 L
Control	Programmable PID Microprocessor (N-Prime)
Tempature Sensor	Fe-Const Thermocouple
Range	Ambient Tempature +5 °C - 99 °C
Precision	0.1°C
Timer	1 min - 99.9 hour
Heat Diffussivity	0.1°C
Material	Stainless Steel
Standart	ASTM D 1693 - 01
Supply Voltage	280 V 50 Hz
Power	800 W



Technical Identity:

Temperature and time display.

Possibility of testing with 18 samples

Notching apparatus. Possibility of testing in liquid by adding liquid in container.

Usage Identity:

Database management, system network.